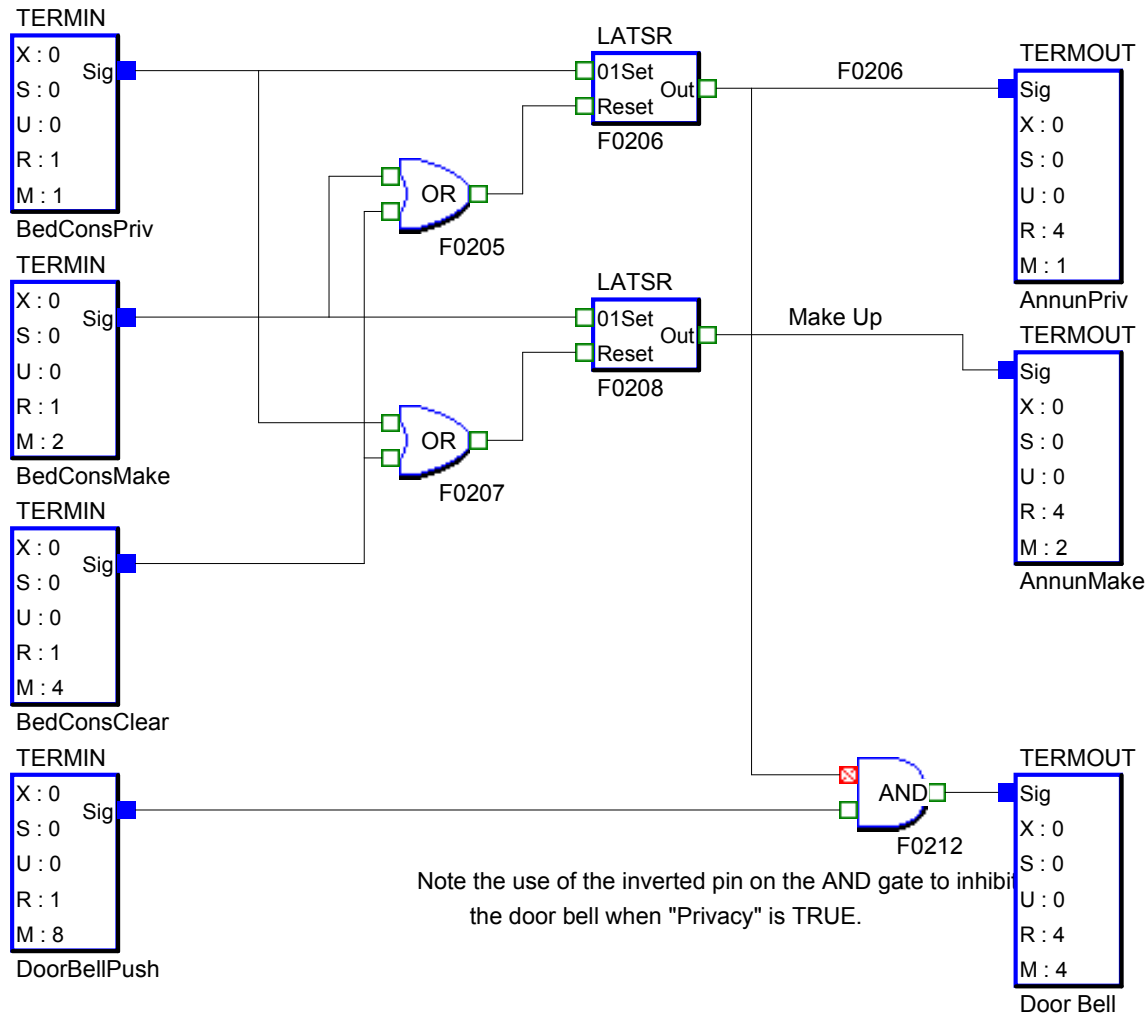


The bedside table controls the "Privacy" and "Make Up" annunciators. Either of the annunciators can be turned on, or both can be off. Normally there would be repeater lamps in the console - these have been left out for simplicity. The doorbell is wired through the PLC so that it can be silenced when "Privacy" is illuminated.

Note that there is no active element in this diagram - it is a pure illustration created with the decorative elements available in an AmbiLogic diagram. The wiring has been coloured brown to distinguish it from the component outlines.



Note the use of the inverted pin on the AND gate to inhibit the door bell when "Privacy" is TRUE.